

MR16-4/7W

L.E.D. MR-16 Lamps

Description

LED Replacement lamps can be used in track lighting, recessed, down lighting, outdoor fixtures (protected from elements), Display lighting for exhibits, trade shows, museums, environments. Durable construction. Long life, reducing maintenance service and frequent lamp changes. Cool to the touch.

Features

- Input: 12VAC/DC
- UL approved for damp locations
- Low heat emission
- No ultraviolet or infrared radiation
- 50,000 hour estimated life span
- Housing Aluminum
- Finish: Anodized aluminum
- Body size true to halogen MR-16 shape, allowing lamps to fit into most lamp holders
- Color temperatures: 3k (warm white) or 5k (cool white)

Also available in a GU10 base. This model only.

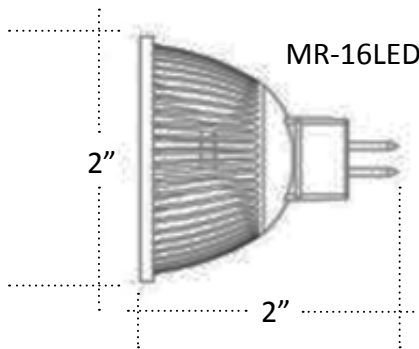


MR-16LED4X1

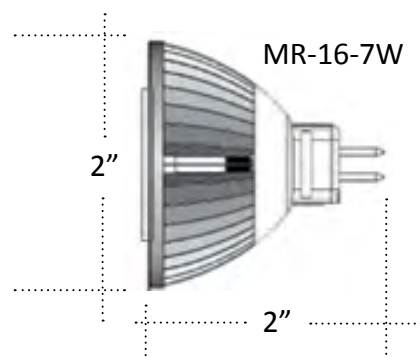


MR-16-7W

Dimensions



MR-16LED4X1



MR-16-7W

Specifications

Part Number	Description	Lumens	Dimensions	Beam Angle	Color Temperature
MR16LED4X1*	4.8 Watt MR-16	240	2" O.D. x 2" L.	40°	3k (warm white) or 5k (cool white)
MR16-7W	7 Watt MR-16	500	2" O.D. x 2" L.	60°	3k (warm white) or 5k (cool white)

*Specify GU5.3 or GU10 base