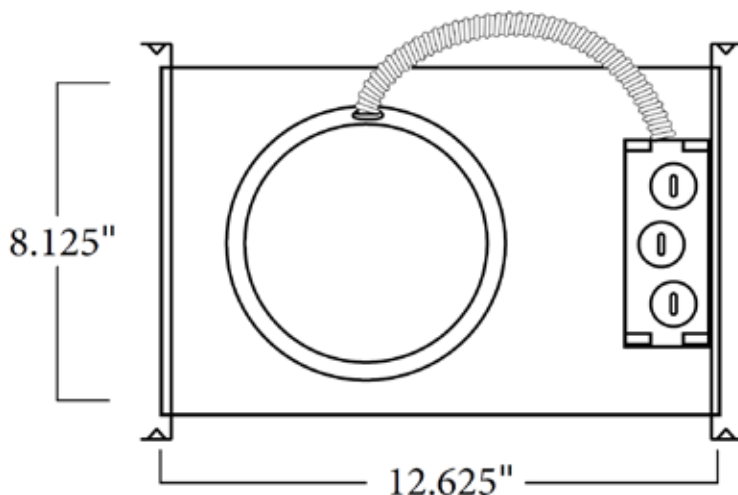
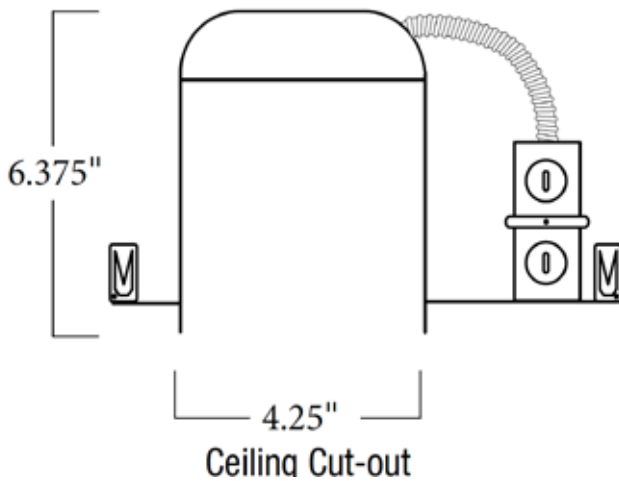


SPEC SHEET

4" Line Voltage New Construction Housing

ST-EL99

- Energy Efficient
- Easy to Install
- Available in Dedicated LED Version



Description

The 4" Line Voltage New Construction Housing is high quality, light weight, and ideal for use in insulated ceilings. Airtight construction reduces energy costs by reducing the amount of air escaping through the ceiling. Rated for direct contact with insulation and combustible materials, Step 1 Dezigns housings are easy and quick to install. Housing with thermal protector. Supplied with captive hanger bars for max 24" joist spacing. Adjustable socket for 55W PAR16, 50W PAR20, or R20. Damp location listed. Feed through listed. UL Listed.

Specifics:

Clearance: "IC" Insulated ceiling housings are direct contact rated; no minimum clearance is required.

Bar Hangers: Two 13-3/4" to 24-1/2" adjustable bar hangers with captive nails are included on frame. Hanger bars have T-Bar slot and alignment feet. Bar hangers are parallel to junction box, but can be repositioned 90° perpendicular to junction box if desired. "L" Shaped bar hanger foot to align to bottom of construction joist. A T-Bar notch allow for easy installation in a suspended ceiling.

Junction Box: Pre-wired 25 cubic inch 0.064" thick galvanized steel, with five 1/2", two 3/4" knockouts.

Lamp: 55W PAR16, 50W PAR20, or R20. LED Optional. (Sold Separately)

Dimmable: Yes, if used with compatible dimmers.

Labels & Listing:

- cULus Listed for Damp Location w/ Feed Through.
- WSEC ASTM E283 or Air-Tight
- Energy Star Rated
- RoHS Compliant
- CA Title 24 Compliant

Size: 8.125" L x 12.625" W x 6.375" H

