

# 5 or 6 in. LED Swivel Trim

## SPECIFICATION SHEET



### Order SKUs:

- ST-O5634-27K (2700K CCT)
- ST-O5634-30K (3000K CCT)
- ST-O5634-35K (3500K CCT)
- ST-O5634-40K (4000K CCT)
- ST-O5634-50K (5000K CCT)

### Description:

Save more on electricity by replacing inefficient Halogen or incandescent recessed lights with this white 5" or 6" Recessed Retrofit LED Swivel Trim. This LED Trim module swivels up to 18° angle and suitable for use with a 5" or 6" medium base or dedicated housing to meet energy rebate requirements. It produces even illumination without diode image. The swivel unit is cULus listed for damp locations and produces 750 lumens. Available in 2700K, 3000K, 3500K, 4000K or 5000K CCT options at 90+ CRI.

### Applications:

Exhibit & Display, Commercial, or Residential Lighting

### Features:

- Produces 90+ CRI for True vibrant color rendition
- Solid State LED Lighting
- Downlight Retrofit
- Integral dimmable driver
- Recessed mount into 5" or 6" housing.
- Includes medium base socket adapter for easy retrofitting in 5" or 6" recessed housings.
- ENERGY STAR certified
- cULus Wet Label Listed, Energy Star, and Title 24 Part 6 Compliant
- Long Lifespan

### Specification:

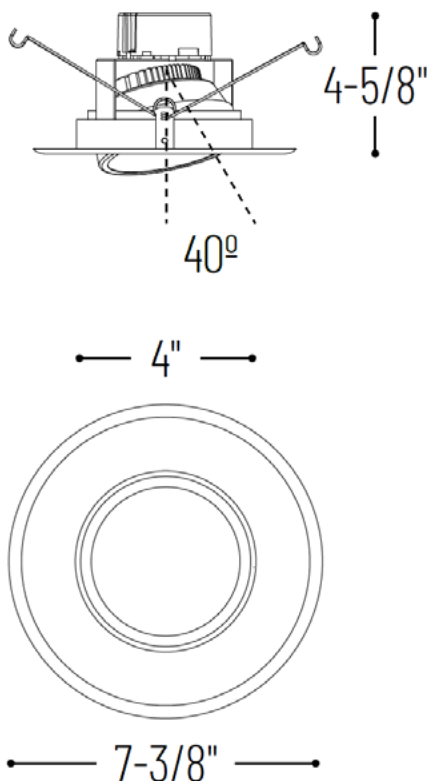
<b>Wattage:</b>	12.5w
<b>Voltage:</b>	120V AC
<b>Brightness:</b>	750 Lumen
<b>Beam Angle:</b>	40°
<b>CRI:</b>	90+
<b>Dimmable:</b>	Yes, with compatible dimmer
<b>Dimension:</b>	7.375" D x 4.625" H
<b>Lifespan:</b>	± 30,000 - 50,000 hours
<b>Mounting:</b>	Recessed
<b>Finish:</b>	White
<b>Environment:</b>	Dry Location
<b>IP Rating:</b>	IP20
<b>Warranty:</b>	5-Year Limited

**Trim:** One piece, die-cast aluminum construction dissipates heat and extends life. Unitized Thermal Management provides exceptional cool operation

**Mounting:** Two steel, spring mounting springs allow for easy and secure mounting in most 5" and 6" housings.

**Optics:** Precision-molded lens for optimal lumen output and even distribution. The white polymer diffuser evenly distributes the light.

**Retrofit:** Includes medium base screw-socket adapter for retrofitting into existing medium base downlight housings.



## Installation Instructions:

**READ PRIOR TO ATTEMPTING INSTALLATION  
ALWAYS TURN OFF MAIN POWER BEFORE INSTALLATION  
INSTALLATION SHOULD BE CARRIED OUT BY YOUR ELECTRICIAN**

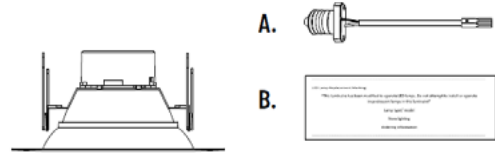
**WARNING** - Risk of fire or electric shock. Installation of this retrofit assembly requires a person familiar with the construction and operation of the luminaire's electrical system and the hazard involved. If not qualified, do not attempt installation. Contact qualified electrician.

**WARNING** - To prevent wiring damage or abrasion, do not expose wiring to edges of sheet metal or other sharp objects.

**THIS RETROFIT KIT IS ACCEPTED AS A COMPONENT OF A LUMINAIRE WHERE THE SUITABILITY OF THE COMBINATION SHALL BE DETERMINED BY AUTHORITIES HAVING JURISDICTION.**



### PACKAGING CONTENTS



- A. Medium-base socket adapter
- B. LED Lamp Replacement



### HOUSING DIMENSIONS

	5"	6"
Height	6"	5-1/2"
Width	5.3"	6"

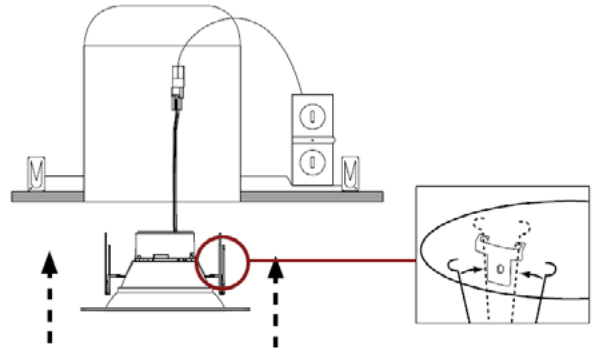
Install this kit only in luminaires that have the construction features and dimensions described in these instructions, and where the input rating of the retrofit kit does not exceed the input rating of the luminaire.

### For LED Dedicated Housings:

1. Connect orange female connector to male connector.

**IMPORTANT:** Connector is not intended to support weight of the fixture. Please support fixture at all times. When using housings, attaching ground wire not required. For non-Nora housings, attach ground wire if required.

2. Squeeze torsion springs on reflector and insert into holder in the housing.



### For Retrofit Housings:

1. Place provided LED Lamp Replacement Marking Sticker inside the housing where visible to installer.
2. If necessary, remove medium-base mounting bracket only to provide room for fixture to be installed fully and properly into the housing. (Figure 1)
3. Attach Medium-base socket adapter (included) to housing and reflector. (Figure 2)

**IMPORTANT:** Do not make or alter any open holes in an enclosure of wiring or electrical components during kit installation.

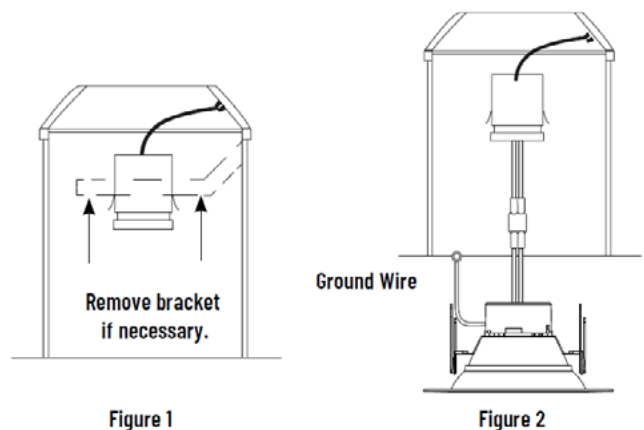


Figure 1

Figure 2