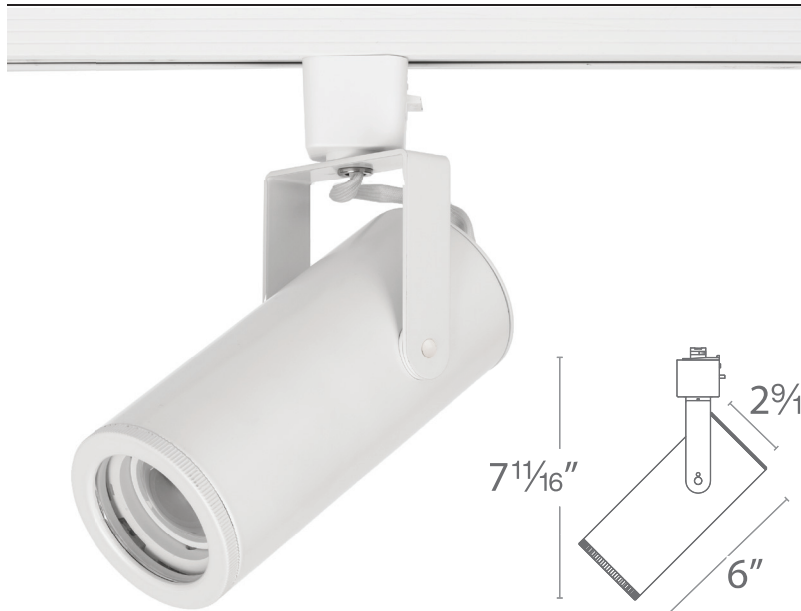


# SILO – SKU: EL-H2020

## H/L/J Track Head

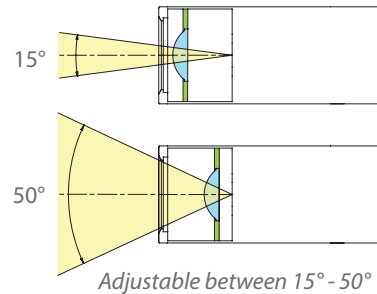
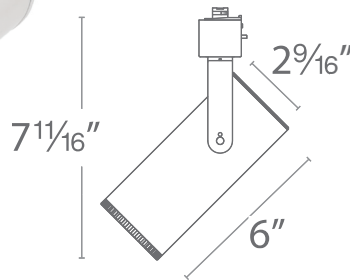


Fixture Type:

Catalog Number:

Project:

Location:



### PRODUCT DESCRIPTION

Silo H2020 offers superior light output in a small, unobstructive design with wide range of dynamic beam adjustment. Engineered style single source LED, optical and thermal management in a slender die-cast housing. Ideal for residential, retail, and lower mounting height commercial application.

### FEATURES

- Continuously adjustable beam angles from 15° to 50°
- Die-cast aluminum construction with rotatable front face
- Integral LED and driver
- Outperforms halogen 75W MR16
- Accommodates one lens and one glare control accessory
- 50,000 hour rated life
- 5 year Lighting product warranty

### SPECIFICATIONS

- Construction:** Die-cast aluminum with removable front cap for lenses or accessories
- Input:** 120VAC 50/60Hz
- Power:** 20W
- Light Source:** High output COB LED
- Dimming:** 100%-5% electronic low voltage (ELV) dimmer
- Standards:** UL & cUL Listed
- Finish:** Powder coated Black and White and Dark Bronze  
Anodized Brushed Nickel, Brushed Brass

Track	Model	CRI	Color Temp	Beam	Lumens	CBCP	Finish
H H Track L L Track J J/J2 Track	2020	90	927 2700K	15°	715	6230	<b>BK</b> Black <b>BN</b> Brushed Nickel <b>BR</b> Brushed Brass <b>DB</b> Dark Bronze <b>WT</b> White
				50°	985	1180	
			930 3000K	15°	785	6840	
				50°	1080	1295	
			935 3500K	15°	810	7060	
				50°	1115	1335	
			940 4000K	15°	840	7310	
				50°	1155	1385	

### EL\_H2020-930-

Example: EL-H2020-930-WT

Accommodates one lens accessory and one glare control accessory, or one framing projector

### FLAT LENS

### FLAT LENS

### GLARE CONTROL

### FRAMING PROJECTOR

Amber <b>LENS-16-AMB</b> Blue <b>LENS-16-BLU</b> Green <b>LENS-16-GRN</b> Red <b>LENS-16-RED</b>	Frosted <b>LENS-16-FR</b> Spread <b>LENS-16-SPR</b> Beam Elongating <b>LENS-16-BEL</b>	Cross louver - Black <b>LENS-16P-CRL-BK</b> Cross louver - Brushed Nickel <b>LENS-16P-CRL-BN</b> Cross louver - White <b>LENS-16P-CRL-WT</b> Snoot - Black <b>LENS-16-SNOOT-BK</b> Snoot - Brushed Nickel <b>LENS-16-SNOOT-BN</b> Snoot - White <b>LENS-16-SNOOT-WT</b> Honey Comb Louver <b>LENS-16-HCL</b>	Framing Projector <b>FP-K-BK</b> Accessories <b>FP-K-WT</b>
---	--	--	--

Step 1 Dezigns  
 630 Terminal Way, Costa Mesa, CA 92627  
 Phone: 949-270-0250  
 Email: sales@step1dezigns.com