

ST-NYLS6 6" LED High Output Cylinder

PRODUCT DESCRIPTION

6" Cylindrical surface or pendant mounted LED fixture. Deep set optics in a reflector cone for optimal visual comfort. Uses Cree LED platform with a dedicated heat sink driven by a Cree supported outboard driver for cool operation and extended life. True white technology and 90+ CRI provide excellent color rendition for the life of the product.

FEATURES

- Internal thermal protection
- 850 / 1250 / 2000 / 3000 / 4000 Lumens
- 2700K / 3000K / 3500K / 4000K
- Comfort Dim Option: 850L, 1250L, 2000L, 3000L
- 90+ CRI
- Ceramic LED package
- Cree True White[®] Technology
- Dimmable (Consult factory on dimming 2000 to 4000 lumen)
- 5 Year Limited Warranty
- cULus listed for damp location
- cULus listed for wet location - Wall Mount Only
- 50,000 Hr Life Expectancy

CONSTRUCTION

Cylinder Cap

High quality 0.040" steel cap with universal slots to allow for direct mounting into J-Box for surface mount. Incorporates all thread in the center for the installation of a cable or pendant rod kit for the corresponding mounting method. Three screws on the bottom of cap secure cylinder body to cylinder cap. (Adjustable with flathead screw drive)

Cylinder Body

0.040" steel cylindrical body with three keyhole slots allowing body to be installed to cylinder cap. Spring brackets accept torsion wing trim springs. Four butterfly clips also accommodated for spring-less trims.

Mounting:

Cable mount come with canopy, field cuttable 3 wire cable and cylinder. Rod mount comes with canopy and rod consisting of 3-12" pieces and 2-24" pieces of internally threaded rod and cylinder. Surface mount and wall mount come with hardware to mount directly to J-box.

Socket

Quick Connector:

Socket is free floating and installs to eyeball, gimbal ring and new trims equipped with socket brackets. Protective cap included to protect socket interior during ceiling painting.

ELECTRICAL

Driver (Seperate and Dedicated)

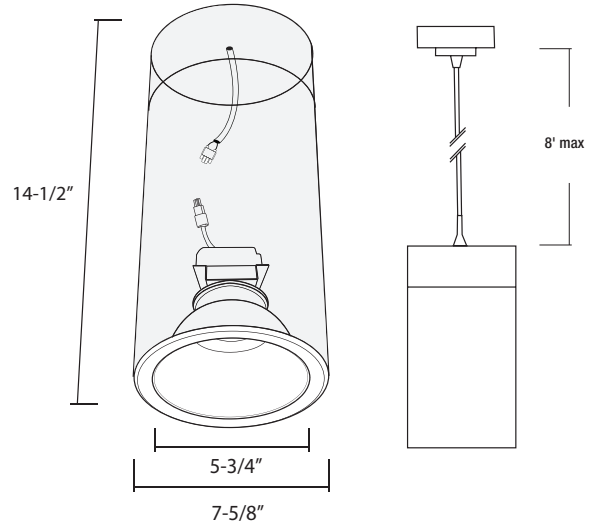
- 850 Lumen - 8.76 Watts (CD-Comfort Dim requires ELV Triac Dimmer)
- 1250 Lumen - 12.88 Watts (CD-Comfort Dim requires ELV Triac Dimmer)
- 2000 Lumen - 20.62 Watts
- 3000 Lumens - 30.93 Watts
- 4000 Lumens - 41.10 Watts

Labels and Listings

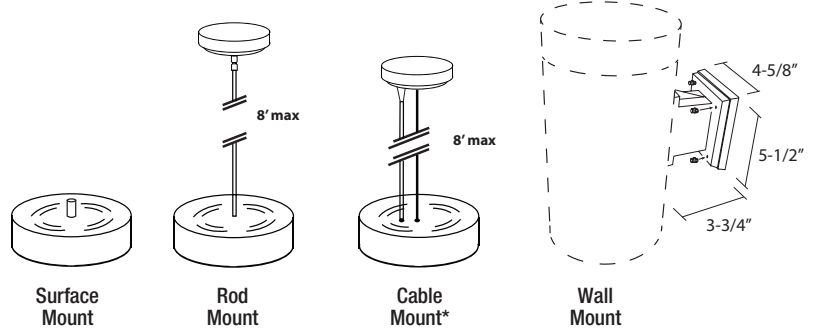
cULus Listed for Damp Location
cULus listed for wet location - Wall Mount Only



DIMENSIONS



MOUNTING OPTIONS



*Cable Mount includes a cylinder cap with aircraft cable in the center & an offset nylon sleeve which contains a 5-wire (Black, White, Green, Grey, Purple) configuration for the dimming

DIMMING CODES AND OPTIONS

LUMEN	1 = Std Dim	2 =277V	4 = Universal
850	120V Triac	277V Non-Dim	120V Triac or 0-10V / 277V 0-10V
1250	120V Triac	277V Non-Dim	120V Triac or 0-10V / 277V 0-10V
2000	120V Non-Dim	277V Non-Dim	120V Triac or 0-10V / 277V 0-10V
3000	120V Non-Dim	277V Non-Dim	120V Triac or 0-10V / 277V 0-10V
4000	120V Non-Dim	277V Non-Dim	120V Triac or 0-10V / 277V 0-10V

SKU	SIZE	MOUNTING	LAMP SOURCE	TYPE OF TRIM	COLOR TEMP	TRIM COLOR	CYLINDER COLOR	DIM OPTION	CABLE
STNYLS	6	C = Cable	8 = 850lm	1 = Reflector	27=2700K	WW = White/White Flange	B = Black W = White	See Table	AC = For Cable Mount only. Denotes new Aircraft cable and 5-wire cord.
		P = Pendant Rod**	1 = 1250lm	8 = Reflector w/ Deco. Glass	30=3000K	DW = Diffused Clear/White Flange			
		S = Surface	2 = 2000lm		35=3500K	HW = Haze/White Flange			
		W = Wall	3 = 3000lm		40=4000K	DB = Diffused Clear/Black Flange			
			4 = 4000lm		CD=Comfort Dim*	HB = Haze/Black Flange			

**0-10V dimming requires an offset nylon sleeve with 2 wires (gray & purple) that runs parallel to rod.

Example : STNYLS-6C2135DWW4AC - 6" Aircraft Cable and Cord Cylinder - White with Diffused Clear Reflector, 2000L, 35k, 120V Triac or 0-10V/ 277V 0-10V Dimming.