

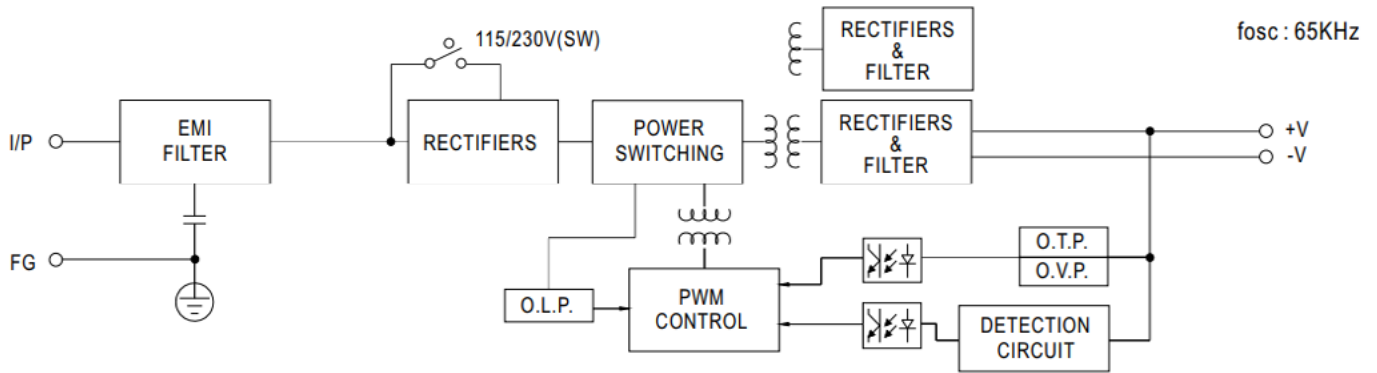


# LED 3-Channel Driver 200W 12V DC

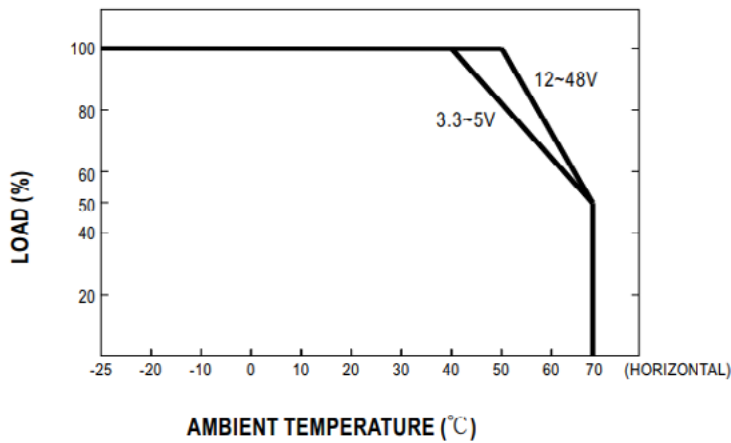
SPECIFICATION SHEET

STVOFL20012D

**Block Diagram:**



**Derating Curve:**



**Static Characteristics:**

